



# BT PRINT

SIMPLE, RELIABLE & CAPABLE



## TX110 & TXM

CONTROLLER

PRINthead

With One-Inch Printhead

# TECHNICAL SPECIFICATIONS

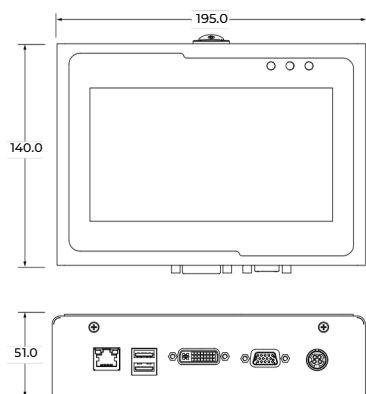
## TX110 TXM



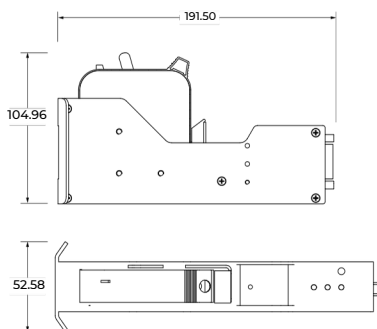
Printing Technology	One-Inch TIJ
Controller Dimensions	195 x 151.7 x 51mm
Printhead Dimensions	190.4 x 52.58 x 104.96mm
Controller Weight	1,100g
Print Head Weight	390.77g
Display	7" LCD Resistive Touch Screen
Power Supply	DC 24V 2.5A, 60W
Resolutions	Max 300 x 600 DPI
Print Speed	76m/min @ 300x300 DPI
Density	3 levels
Throw Distance	Up to 5mm
Data Cable	DVI 1.8m Standard

## FEATURES

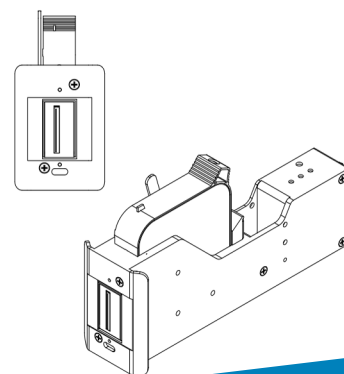
Wide Range Of Print Types	<ul style="list-style-type: none"> <li>Text, Counter</li> <li>Box/Lot</li> <li>Datetime</li> <li>Expiry Date</li> <li>Julian Date</li> <li>Shiftcode</li> <li>Image</li> <li>Database</li> </ul> <p>1D &amp; 2D Barcodes (Code 11, Code 39, Code 128, EAN, QR, Datamatrix, GS1 Datamatrix)</p>
Printable Height	Maximum 25.4mm
External Connections	<ul style="list-style-type: none"> <li>Built in sensor, DVI Port</li> <li>External Sensor, Encoder and Alarm beacon</li> </ul>
Template Length	1.5m @ 300x300 DPI
Database	TXT, CSV, SQL, SQLite and MySQL
Advance Features	<ul style="list-style-type: none"> <li>Free design in template up to 1 inch (25.4mm)</li> <li>Real-time Printing</li> <li>WYSIWYG (what you see is what you get)</li> <li>Data Upload, Backup &amp; Recovery via USB</li> <li>POD (Print online data) Integrate with other devices (PLC, Camera, Checkweigher) via RJ45. <b>Upgrade to the PRO version to use this feature</b></li> </ul>
Printable Characters	Windows true fonts
Print Languages (27 Languages)	English (default), Simplified Chinese (PRC), Traditional Chinese (ROC), Czech, Spanish, Greek, Hindi, Hungarian, Hebrew, Farsi, Japanese, Korean, Urdu, Portuguese, Russian, Arabic, Slovak, Thai, Vietnamese, Turkish (and others)
System Languages (33 Languages)	English (default), German, Vietnamese, Korean, Russian, Simplified Chinese, Turkish, Portuguese, Spanish, Polish, Greek, Italian, Hebrew, Thai, French, Traditional Chinese ROC, Arabic, Czech, Dutch, Indonesian, Japanese, Bengali, Bulgarian, Croatian, Albanian, Finnish, Hungarian, Macedonian, Romanian, Serbian, Slovenian, Slovak, Ukrainian
Ink Type	Solvent Base Ink, Water Base Ink
Ink Security Technology	Private Smartchip
Operating Environment	Temperature 10 - 40°C, Humidity 40 - 80%, Non-condensing



TX110 Controller



TXM Printhead



### Our Zonal Offices

North : Plot no.20, 1st Floor, Sector-87, Faridabad - 121003 (Haryana)

West : Unit No.23,Y.A Chunawala Industrial Estate, 2nd floor, Kondivita, Andheri East.Near Hotel Regent, Mumbai 400059

South: Ground Floor, Nagarjuna Residency, Hi-Tec City, Gachibowli, Hyderabad, Telangana, Gachibowli, Hyderabad-500032

East: H-2/95, Ho-Chi-Minh Sarai, Sarsuna Satellite Township, Kolkata - 700061.

Factory: Godown no.20, Viapari Bhai Building, PO: Chikamberpur, Ghaziabad -201001(U.P)

Contact us - 7290033620, 9073950891, email - sales.delhi@btprintpkg.com, website - www.btprintpkg.com